

**Standard Construction:**

**Frame:** Galvanized steel, rolled reinforcement.

Diameter	Gauge
4" - 8"	22 gauge
9" - 12"	20 gauge
13" - 24"	18 gauge

**Blades:** Galvanized steel with welded channel reinforcement.

**Bearings:** Nylon Bushing

**Axles:** 3/8" square, Aluminum

**Finish:** Mill galvanized.

**Extended Shaft:** 3/8" square, plated steel 4" beyond frame.

**Maximum Temperature:** 200° F.

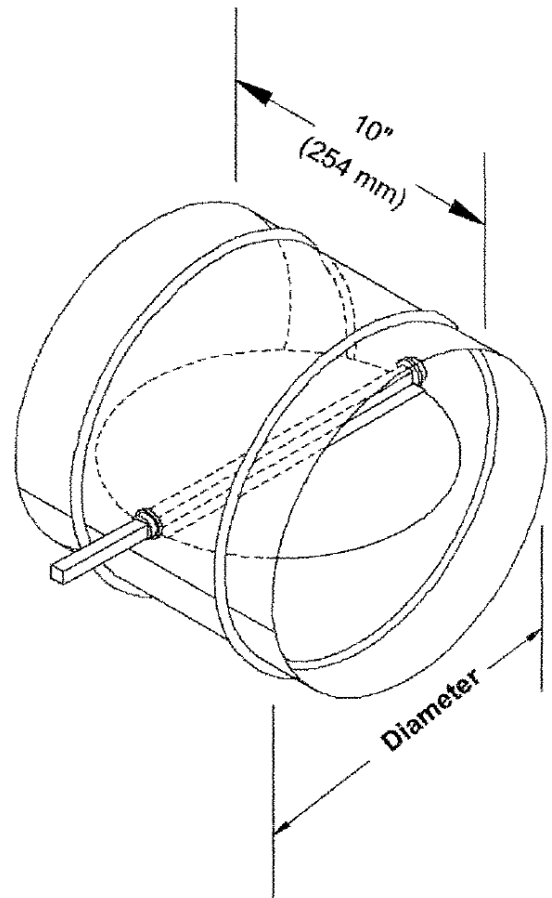
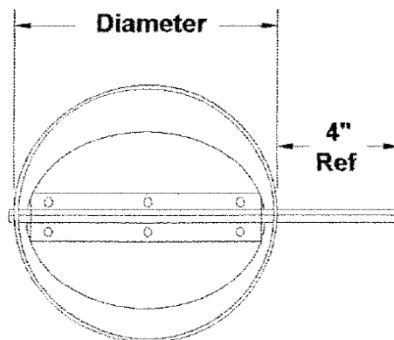
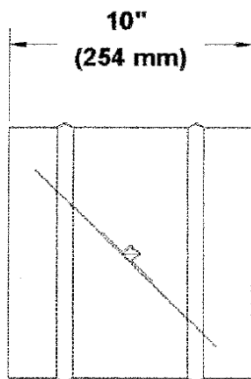
**Sizes:** 4" to 24" diameters.

**NOTES:** Dampers are furnished approximately 1/8" smaller than given duct dimensions.

**Features**

The MBD-RD series Manual Balancing Dampers are designed and built to provide a cost effective and reliable damper for reduced volume control only and not for positive shut-off. They are not intended for automatic operation.

Available with locking quadrants.



**Suggested Specification**

Round Manual Balancing Dampers shall be Model MBD-RD by Ducts on Demand. Damper frame shall be galvanized steel complete with rolled reinforcement. Damper blade shall be galvanized steel complete with welded channel reinforcement.

Project: \_\_\_\_\_  
 Location: \_\_\_\_\_  
 Architect: \_\_\_\_\_  
 Engineer: \_\_\_\_\_

Contractor: \_\_\_\_\_  
 Address: \_\_\_\_\_  
 P.O. Number: \_\_\_\_\_  
 Date: \_\_\_\_\_