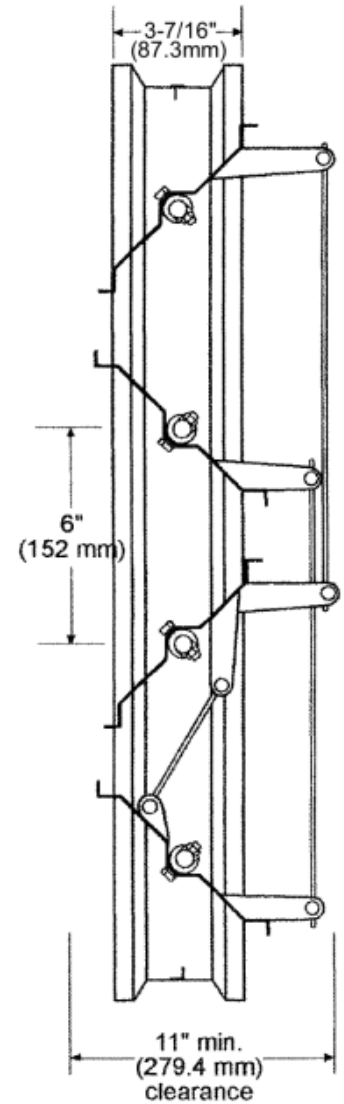


Standard Construction:

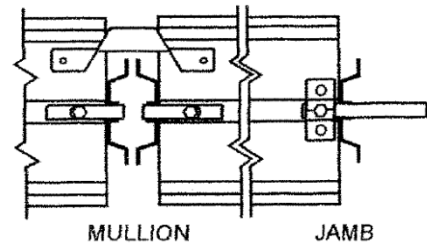
- Frame:** 3-7/16" x 9/16" x 16-gauge rollformed galvanized steel hat section with welded corners.
- Blades:** 16-gauge rollformed galvanized steel on 6" centers.
- Bearings:** Permanently lubricated oilite bronze, press fit into frame.
- Axles:** 1/2" diameter plated steel.
- Linkage:** Commercial grade, brass pivots, machine riveted to blade.
- Linkage to Rod:** 1/4" diameter plated steel.
- Operator Shaft:** 6" x 1/2" diameter plated steel.
- Finish:** Mill galvanized.
- Minimum Damper Size:** 6" W x 12" H
- Maximum Damper Size:** Single Section: 48" W x 72" H
Multi Section: Unlimited.



Options:

- Seals:** Vinyl or stainless steel blade seals.
Flexible stainless steel jamb seals.
- Operators:** Motor mounting – factory furnished or by others. Manual quadrant.
- Finish:** Painted finishes.
- Face & Bypass:** Right angle and straight line mixing dampers.

NOTES: All dampers are fabricated 1/4" under listed sizes unless specified "actual or exact."
Dampers must be installed square and free from racking.
Dampers with multiple sections in both width and height require structural supports (by others). Ducts on Demand recommends that large openings be divided with structural members such that dampers will span either the width or height of each opening between the structural members with a single section.
All dampers must be installed with blades running horizontally.
Connect all damper motors to linkage side of operator blade or to operator shaft.
Consult factory if application involves static pressures in excess of 2.5" w.g.



Project: _____
 Location: _____
 Architect: _____
 Engineer: _____

Contractor: _____
 Address: _____
 P.O. Number: _____
 Date: _____