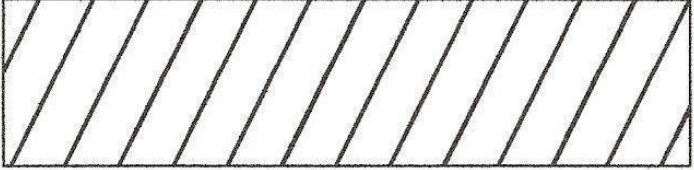
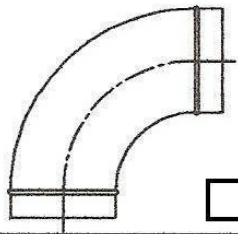
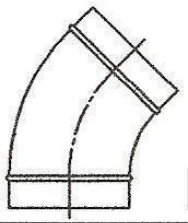
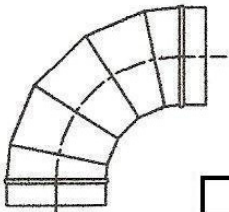
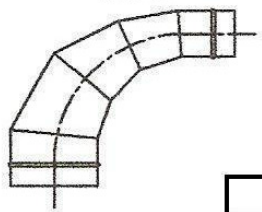
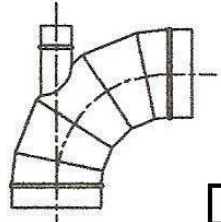
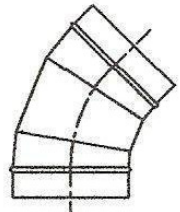
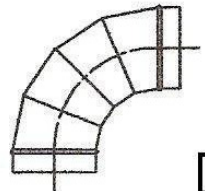
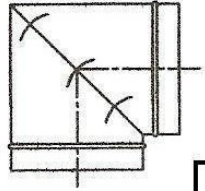
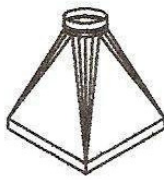
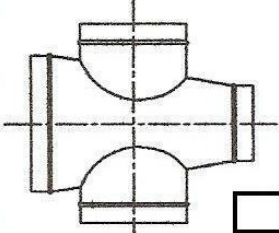
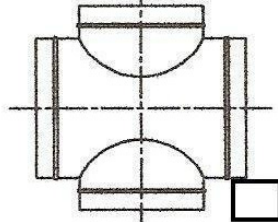
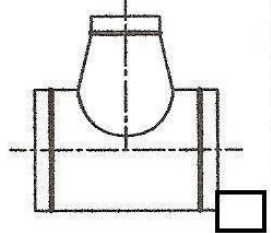
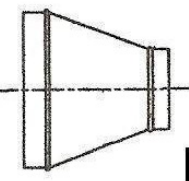
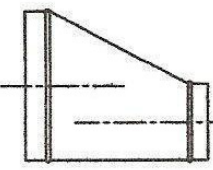
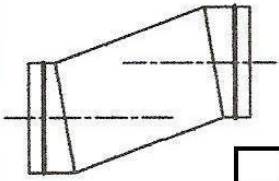
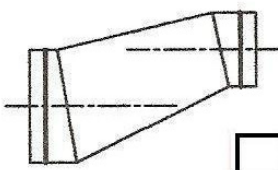
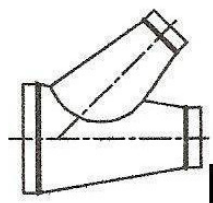
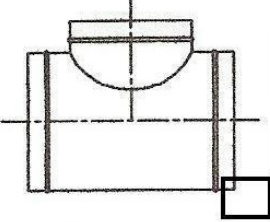
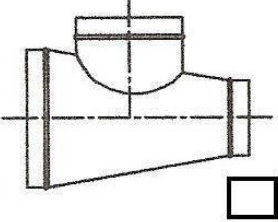
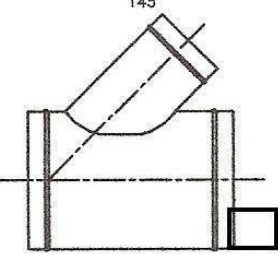
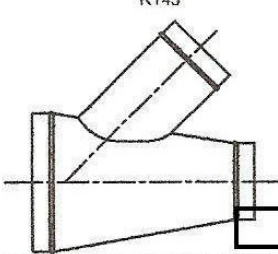
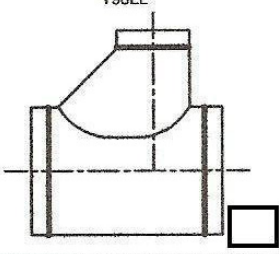
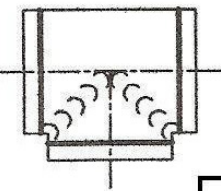
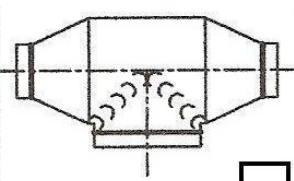
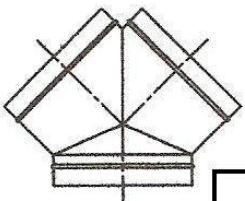
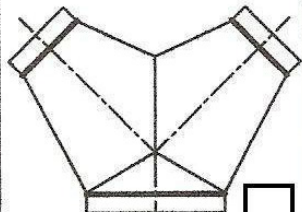
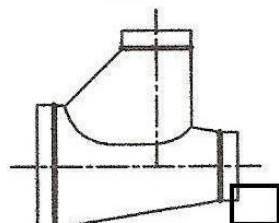


<p>SPIRAL DUCT SD</p> 			<p>DIE STAMPED 90 E90DS</p> 	<p>DIE STAMPED 45 E45DS</p> 
<p>GORED ELBOW E90 1.5</p> 	<p>GORED REDUCING ELBOW E90 1.0 RE90 1.5</p> 	<p>GORED HEEL TAP ELBOW E90 TAP</p> 	<p>GORED ELBOW 45 E45 1.0</p> 	<p>GORED ELBOW E90 1.0</p> 
<p>MITERED 90 E90MT</p> 	<p>SQUARE TO ROUND SQRND</p> 	<p>REDUCING BODY CROSS RX</p> 	<p>STRAIGHT CROSS X90</p> 	<p>CONICAL TEE T90C</p> 
<p>CONCENTRIC REDUCER RED</p> 	<p>ECCENTRIC REDUCER E.RED</p> 	<p>ROUND OFFSET OFST</p> 	<p>REDUCING ROUND OFFSET R OFST</p> 	<p>REDUCING BODY CONICAL LATERAL RT45C</p> 
<p>STRAIGHT TEE T90</p> 	<p>REDUCING BODY TEE RT90</p> 	<p>LATERAL 45 T45</p> 	<p>REDUCING BODY LATERAL RT45</p> 	<p>LOW LOSS TEE T90LL</p> 
<p>BULLHEAD TEE BH</p> 	<p>REDUCING BULLHEAD TEE TR90BH</p> 	<p>Y-BRANCH Y45</p> 	<p>REDUCING Y-BRANCH Y45</p> 	<p>REDUCING BODY LOW LOSS TEE RT90LL</p> 

DUCTS ON DEMAND

Custom Manufactured Ducts and Supplies

SINGLE WALL

SUBMITTAL
SPIRAL ROUND
DUCT AND FITTINGS
2-10 INCH WG STANDARD

<p>REDUCING BODY CONICAL TEE RT90C</p>	<p>REDUCING LOW LOSS CROSS RX90LL</p>	<p>REDUCING BODY CONICAL CROSS RX90C</p>	<p>LOW LOSS CROSS X90LL</p>	<p>REDUCING BODY LOW LOSS CROSS RX90LL</p>
<p>REDUCING LOW LOSS TEE RT90LL</p>	<p>REDUCING CONICAL TEE RT90C</p>	<p>CONICAL LATERAL T45C</p>	<p>REDUCING CONICAL LATERAL RT45C</p>	<p>CONICAL LATERAL CROSS X45C</p>
<p>REDUCING CONICAL LATERAL CROSS RX45C</p>	<p>REDUCING LATERAL RT45</p>	<p>CONICAL CROSS X90C</p>	<p>REDUCING CONICAL CROSS RT90C</p>	<p>CONICAL LATERAL CROSS X45C</p>
<p>REDUCING LATERAL CROSS RX45</p>	<p>REDUCING BODY CONICAL LATERAL CROSS RX45C</p>	<p>CONICAL LATERAL T45C</p>	<p>REDUCING BODY CONICAL LATERAL RT45C</p>	<p>LATERAL CROSS X45</p>
<p>REDUCING BODY LATERAL CROSS RX45</p>				

<p>CONNECTOR (MALE) C</p>	<p>END CAP EC</p>	<p>ANGLE RING AR</p>	<p>ACCUFLANGE ACF</p>	<p>SPUN BELLMOUTH FLANGE BM</p>
<p>USA BELLMOUTH FLANGE BM-USA</p>	<p>WELDED HANGER HANGER-W 1/2" HOLE</p>	<p>BENT HANGER HANGER-B 1/2" HOLE</p>	<p>STANDARD REGISTER BOX REGBOX</p>	<p>SHOE TAP SHTP</p>
<p>SADDLE TAP 90 SAD90</p>	<p>SADDLE TAP 45 SAD45</p>	<p>SADDLE TAP 90 CONICAL SAD90C</p>	<p>REGISTER BOX (45°) RB45°</p>	<p>FITTING CONNECTOR (FEMALE) C</p>
<p>BELLMOUTH FLANGE BM</p>	<p>INSULATION STOP IS</p>	<p>ELBOW BOOT EBOOT</p>		