

COMPANY _____ JOB NAME _____

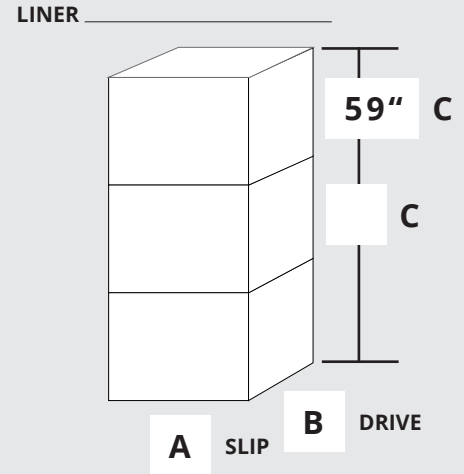
NAME _____ PHONE () _____ DATE _____

If the job is continuous in all Metal Type, Seams, Connections, mark here:

- Galvanized Paint Grip Pittsburg S&D Other
 SnapLock Ductmate TDC

QTY						
GAUGE						
A						
B						
C						
D						

C,D - Does not need to be filled out if Standard Length Duct is 59" | Anything less than 24" Total (Depth+Width) will be One Piece Wrapper, Otherwise Broie down, L=Shaped *TDC=Standard 56"

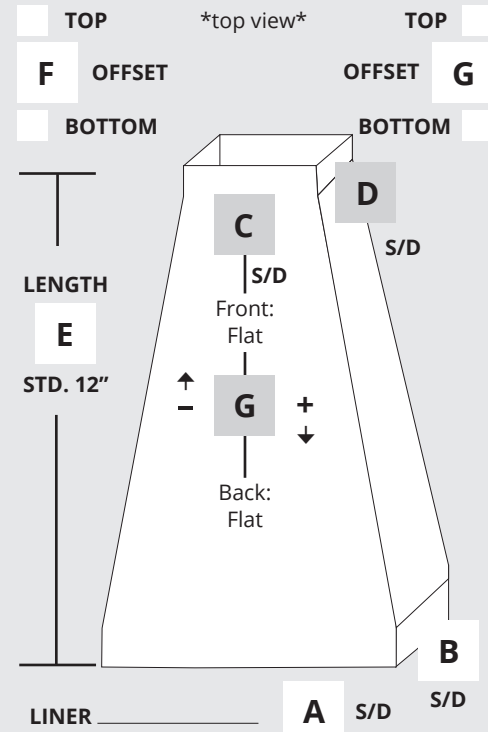


Standard Length = 59"

- Galvanized Paint Grip Other
 Pittsburg Ductmate TDC S&D

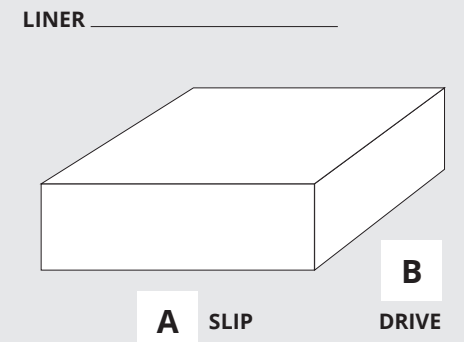
QTY							
GAUGE							
A							
B							
C							
D							
E							
F							
G							
H							

For E, F, G - S-Straight, TL-Top Leel, BL-Bottom Level | Standard is Centered



- Galvanized Paint Grip S&D Other
 Ductmate TDC Aluminum

QTY						
GAUGE						
A						
B						



SQUARE DUCT

SQUARE TRANSITION

END CAP

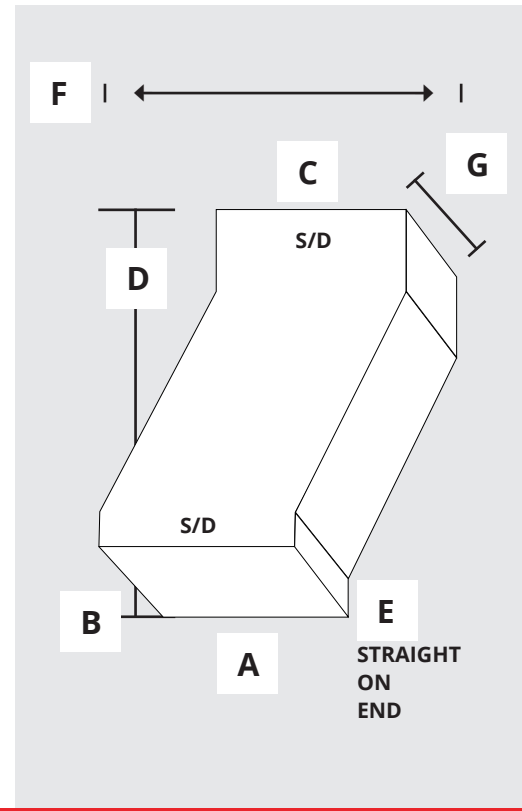
SQUARE OFFSET

If the job is continuous in all Metal Type, Seams, Connections, mark here:

- Galvanized
 Paint Grip
 S&D
 Other
 SnapLock
 Pittsburg
 Ductmate
 TDC

QTY						
GAUGE						
A						
B						
C						
D						
E						
F						
G						

S - all Square | R - all Radius | SR - square throat, radius heel | C - permit choked fitting (only with S)
 | T - transition style (only with S) | + - Any Radius (Only with R) | End 2 May be left blank if the same as End 1
 | For Dim A, L (for FOL) or R (for FOR) | For Dim B, T (for FOT) or B (for FOB) | Offsets may start with T,C,B,R or L
 | Don't Leave Offsets Blank | ie T=2.5 (=topdown 2.5) | Offsets move End 2. The Picture shows Dim A | Offset Being R-56

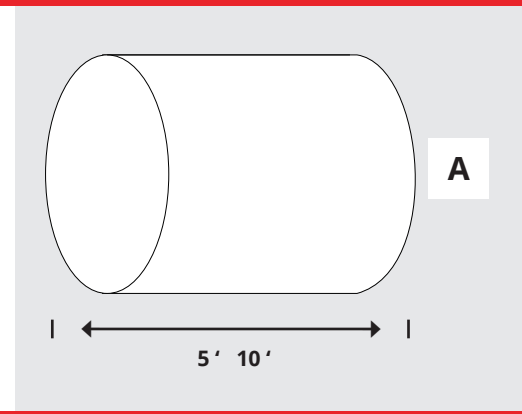


SPIRAL PIPE

- Galvanized
 Paint Grip
 Other

QTY						
A						

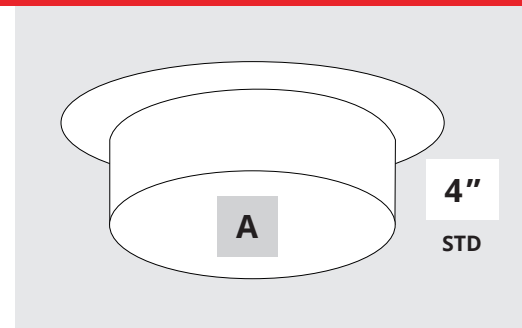
Call for Length Questions



SPIRAL END CAP

- Galvanized
 Paint Grip
 Other

QTY						
A						

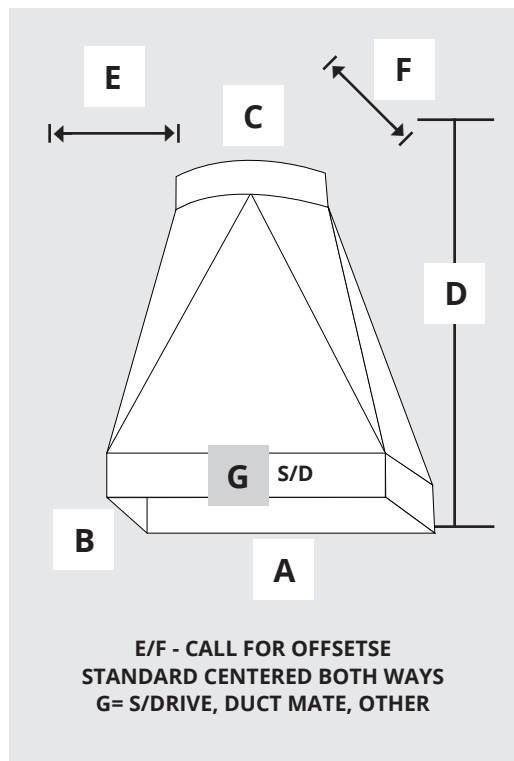


SQUARE TO ROUND

- Galvanized
 Paint Grip
 Pittsburg
 S&D
 Other
 SnapLock f
 Ductmate
 TDC

QTY						
GAUGE						
A						
B						
C						
D						
E						
F						
G						

Pieces (1, 4, A2, B2, T8, C1, C2, C4) | (S, T, ST, TS, SS, TT) | T Will slope, respective end | Dash (-) leaves End 1 alone | Break Marks start at 8 and have to be a multiple of 4 | For Dim A, L for (FOL) or H (for FOR) | For Dim B, T (for FOT) or B (for FOB) | Offsets may start with T, C, B, R, or L | Don't leave offsets blank | ie T-25 (=topdown 2,5) | Offsets move End 2

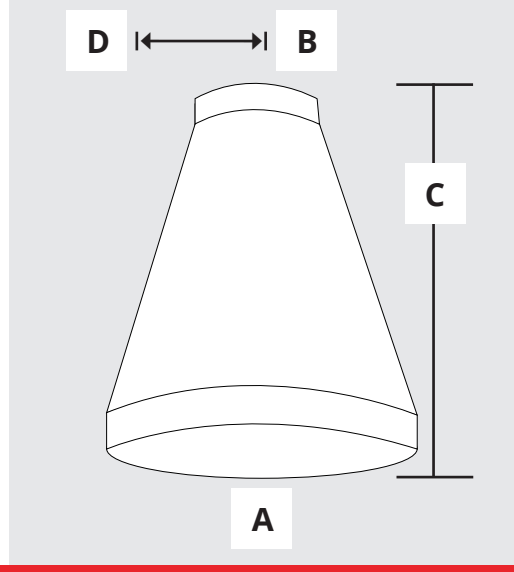


SPIRAL REDUCER

- Galvanized
 Paint Grip
 Other

QTY						
GAUGE						
A						
B						
C						
D						

(S, T, ST, TS, SS, TT) | T Will slope, respective end | Dash (-) leaves End 1 alone | Seam 5/16 LAP | For Dim A, L for (FOL) or H (for FOR) | For Dim B, T (for FOT) or B (for FOB) | Offsets may start with T, C, B, R, or L | Don't Leave offsets Blank | Offsets move End 2 | C = ↓ | Smacna Requires Certain Lengths | Call for custom lengths | D = Eccentric Conccentrik

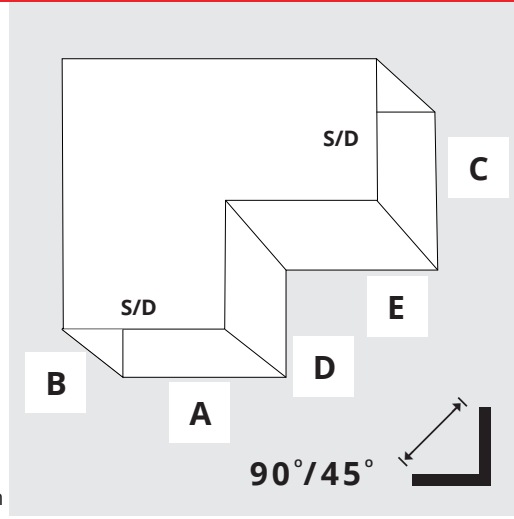


ELBOWS

- Elbow Type Square
 Radius
 Sq to Radius | Vane Type Y/N

QTY						
GAUGE						
A						
B						
C						
D						
E						

Throat Standards are 6" | Call if needed smaller | Add D for Dropcheek | Add 1 for Intermediate Seam on Throat | Enter -89 to 89 slope End 2 | Pos(+) will slope top away | Neg(-) will slope bottom away



Galvanized Paint Grip Other

QTY						
GAUGE						
A						
B						
C						
D						
E						

B = 6" throat is Standard, call for custom | E = number of Gores 90°-5, 45°-3, call for custom | Mitered 90°-2

